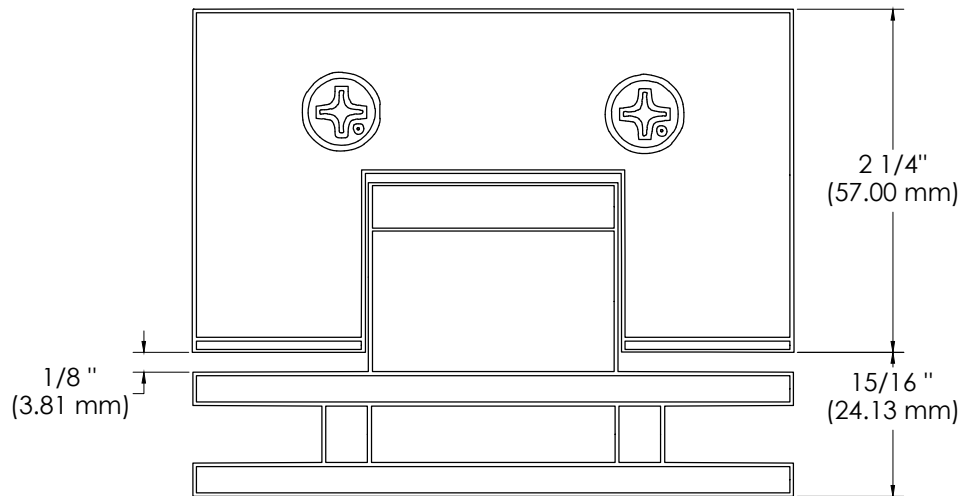
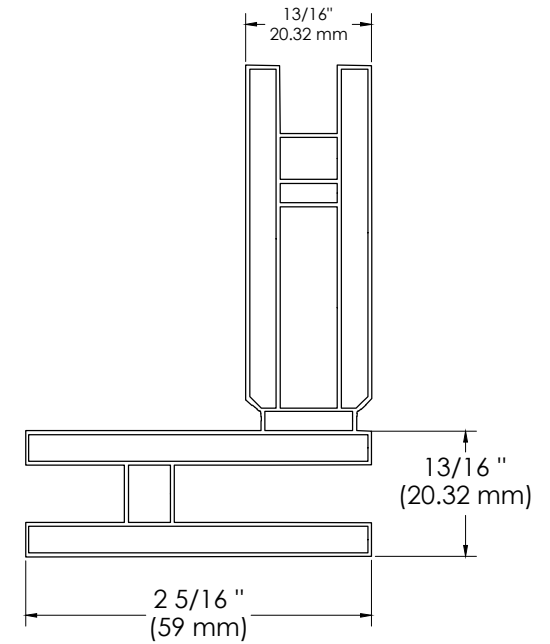
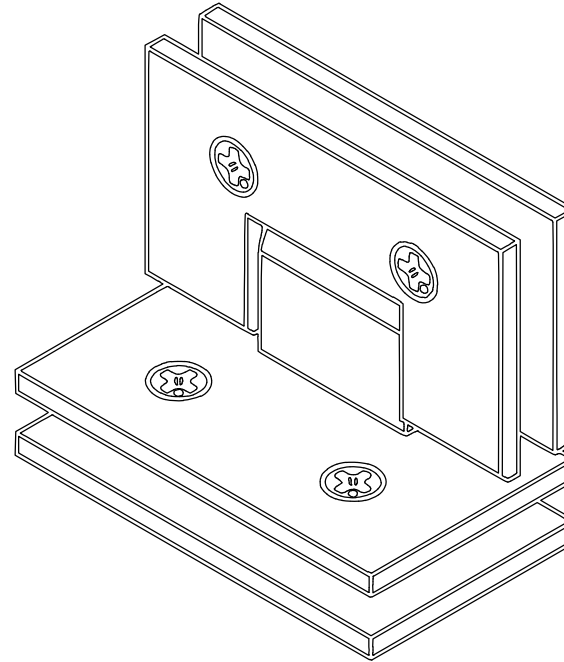
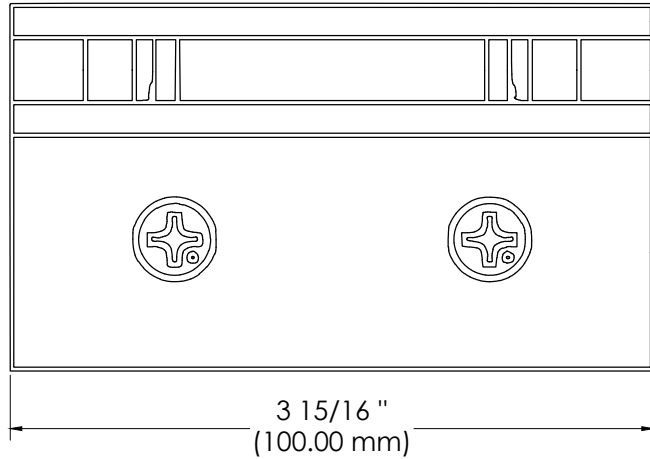




BEST GLASS PARTS - HINGE HEAVY DUTY GLASS TO GLASS 90

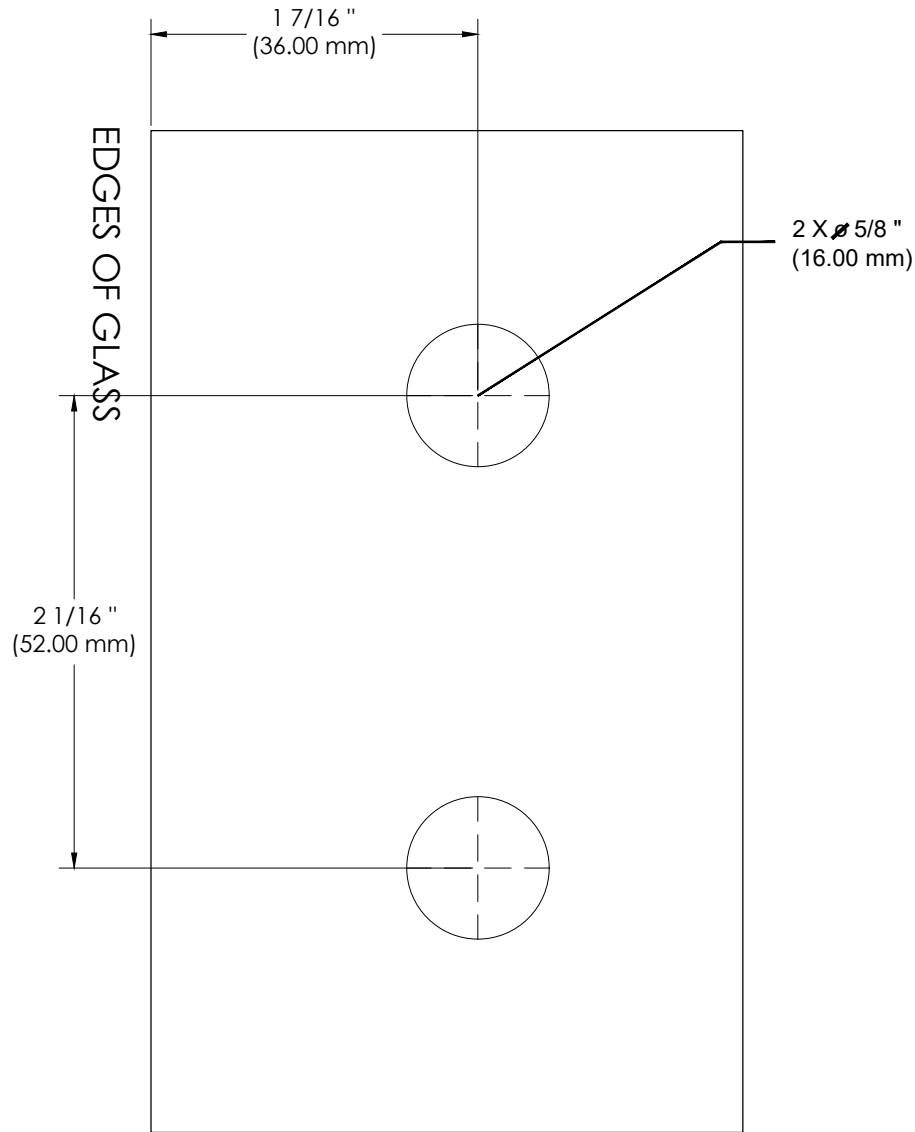


PRODUCT SPECIFICATIONS :

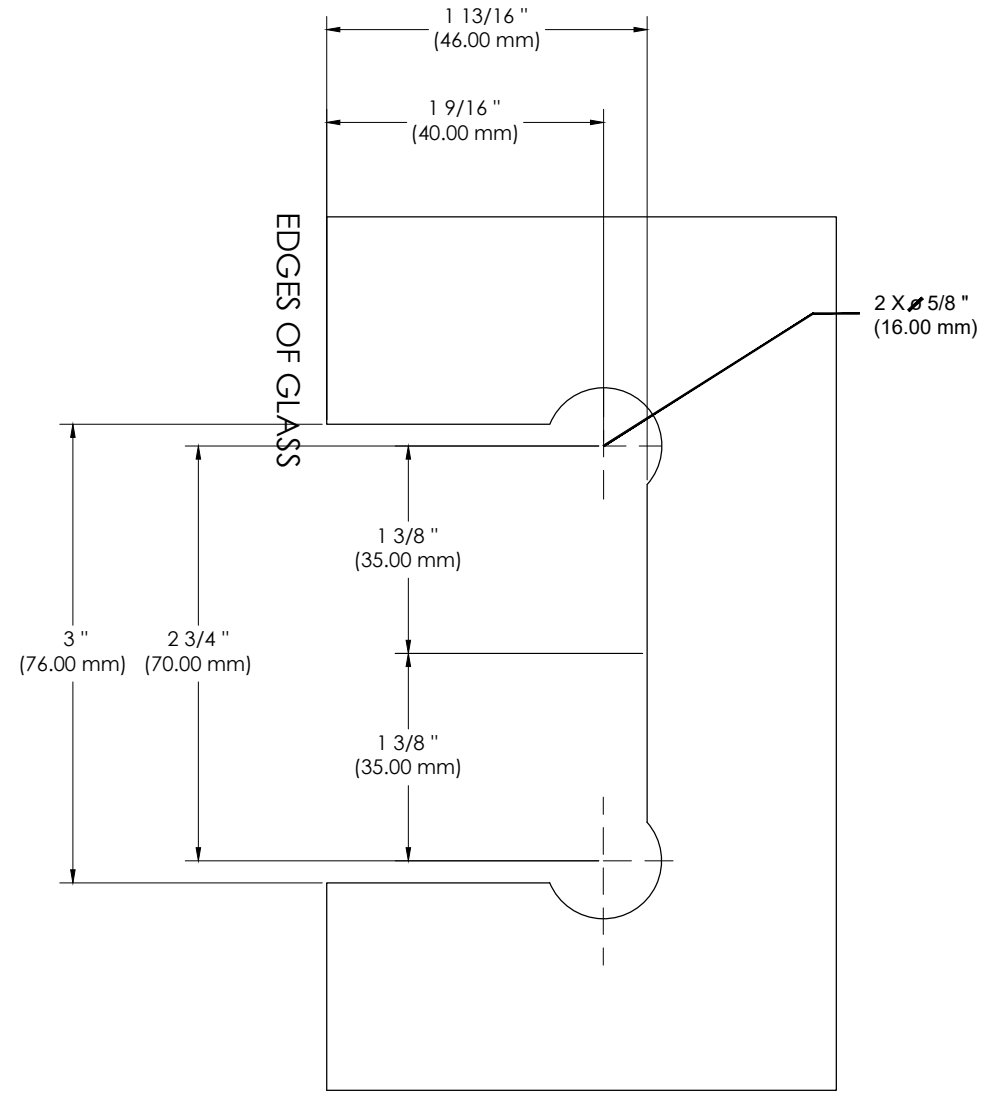
- Finishes : Chrome, Black, Brush Nickel, Gold
- Material : Brass
- Maximum Door Capacities for Two Hinges :
 - Maximum Door Weight - 110 lbs (50 kg)
 - Maximum Door Width - 36" (914 mm)
- Maximum Door Capacities for Three Hinges :
 - Maximum Door Weight - 140 lbs (64 kg)
 - Maximum Door Width - 36" (914 mm)



BEST GLASS PARTS - HINGE HEAVY DUTY GLASS TO GLASS 90



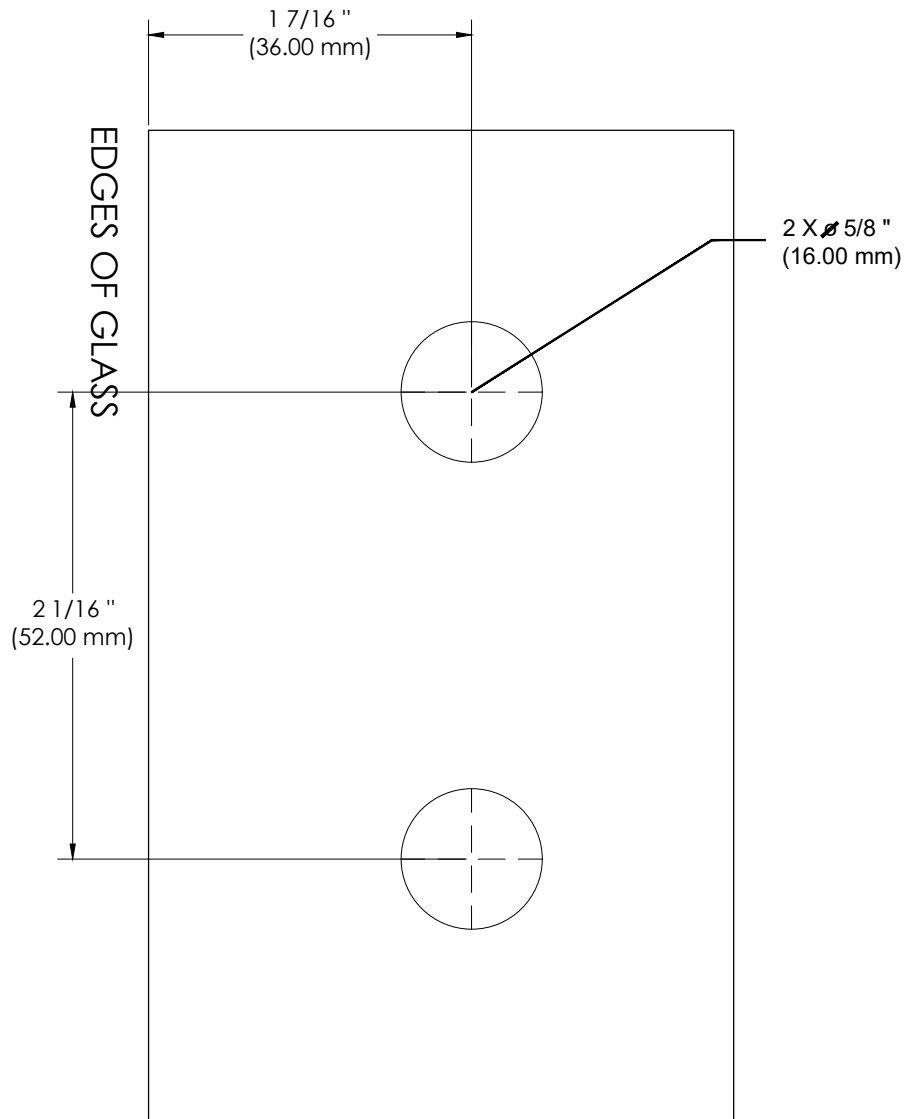
FIXED PANEL TEMPLATE



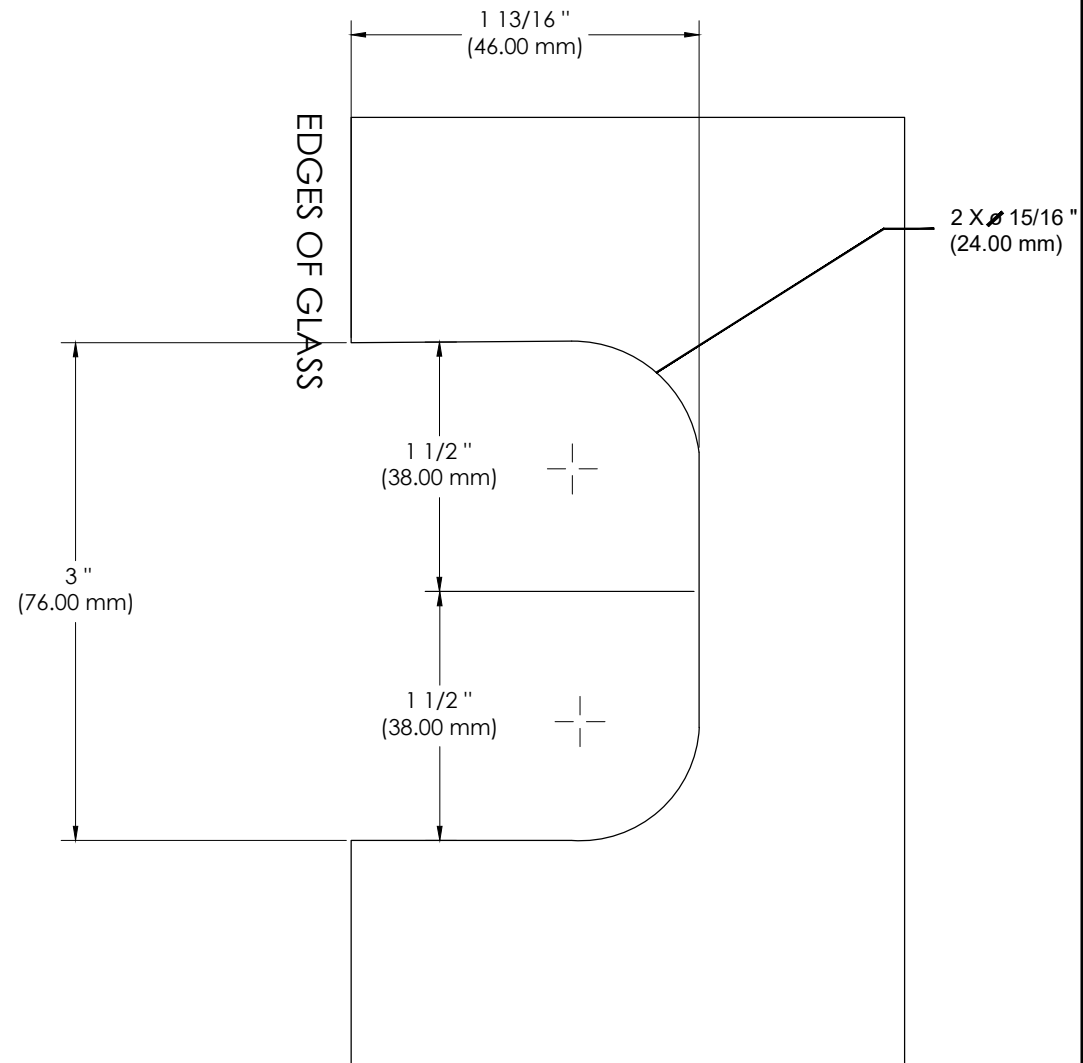
DOOR TEMPLATE - MOUSE EAR CUT OPTION



BEST GLASS PARTS - HINGE HEAVY DUTY GLASS TO GLASS 90



FIXED PANEL TEMPLATE



DOOR TEMPLATE RECTANGULAR CUTOUT OPTION