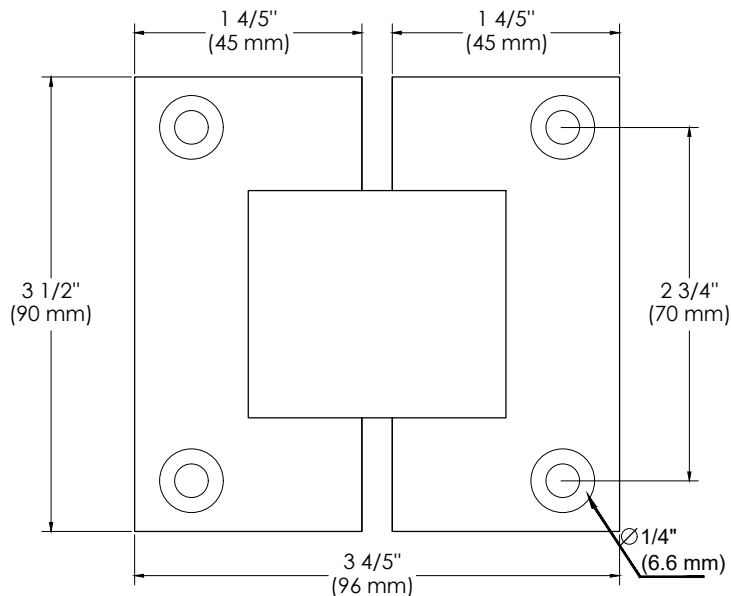
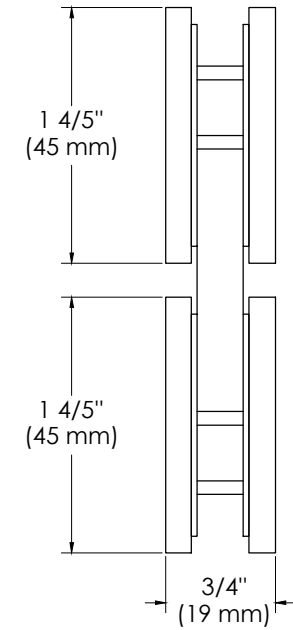
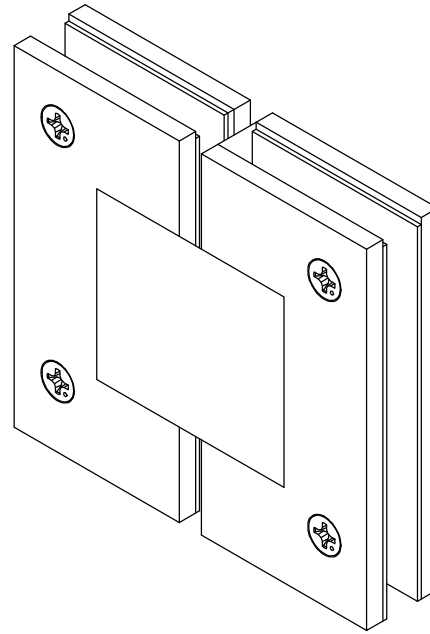
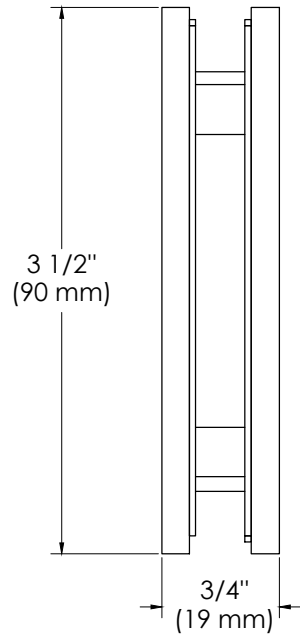




# BEST GLASS PARTS - HINGE GENEVA GLASS TO GLASS SOFT CLOSE 180



## PRODUCT SPECIFICATIONS :

- Finishes : Chrome, Black, Brush Nickel, Gold
- Material : Brass
- Silent Soft-Close Mechanism: Features a precision-engineered damper that ensures smooth, controlled closing to prevent slamming and protect the glass from damage.
- 180° Opening Angle: Provides maximum flexibility and wide-clearance access, making it highly functional for various architectural layouts.
- Seamless Glass-to-Glass Fit: Designed specifically for glass-on-glass installations, offering a clean, modern aesthetic with no bulky frames.
- Durable & Reliable: Crafted from high-quality materials for long-term performance in both high-traffic commercial environments and residential spaces.
- User-Friendly Installation: Engineered for a straightforward setup process, reducing labor time and minimizing future maintenance needs.
- Modern Aesthetic: Combines safety with a sophisticated design to elevate the look of shower enclosures, office partitions, or retail displays.



# BEST GLASS PARTS - HINGE GENEVA GLASS TO GLASS SOFT CLOSE 180

