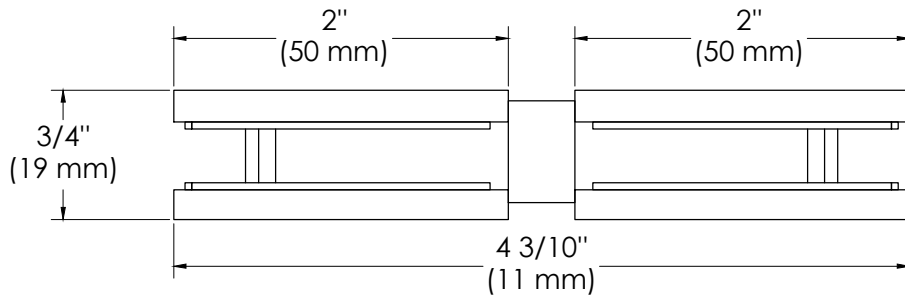
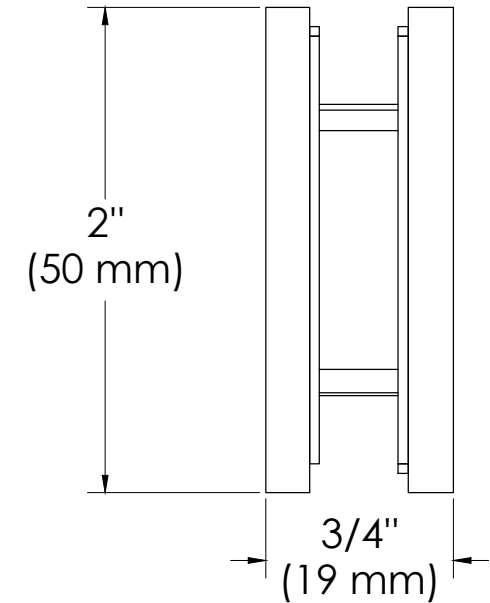
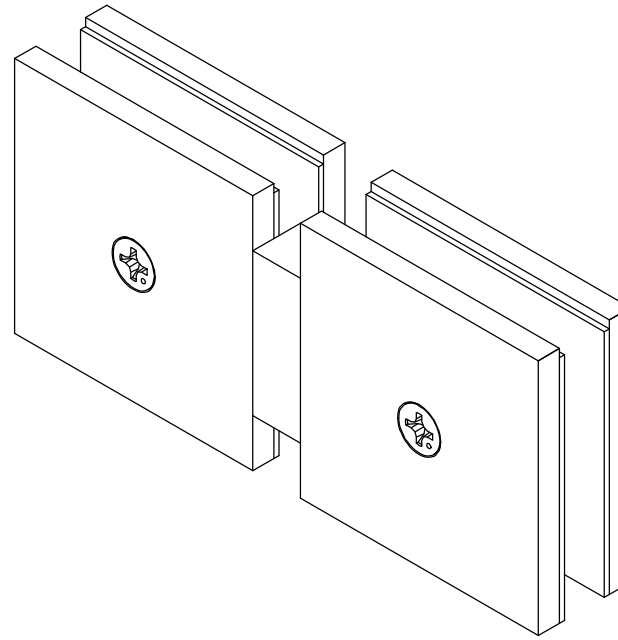
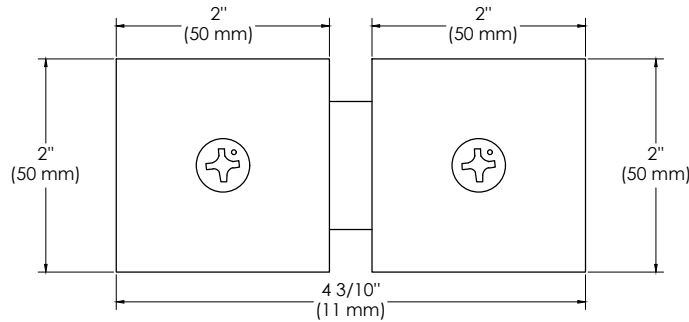




BEST GLASS PARTS - GLASS TO GLASS CLAMP 180 TRANSOM



PRODUCT SPECIFICATIONS :

- Finishes : Chrome, Black, Brush Nickel, Gold
- Material : Brass
- Seamless Inline Connection: Securely connects two glass panels at a 180-degree angle, creating a flush, "floating" appearance for frameless glass systems.
- High-Quality Construction: Typically crafted from durable, corrosion-resistant materials (such as solid brass or stainless steel) to ensure long-lasting stability in high-moisture environments.
- Versatile Applications: Ideal for shower enclosures, glass railings, office partitions, and architectural storefronts.
- Support for Transoms: Specifically engineered to hold transom panels (the small glass panels above a door), providing essential support without the need for bulky metal frames.
- User-Friendly Installation: Designed for both professional contractors and DIY enthusiasts, though it generally requires pre-drilled holes (glass fabrication) for a secure fit.
- Modern Aesthetic: The sleek, low-profile design complements contemporary interior styles by maximizing transparency and light flow.